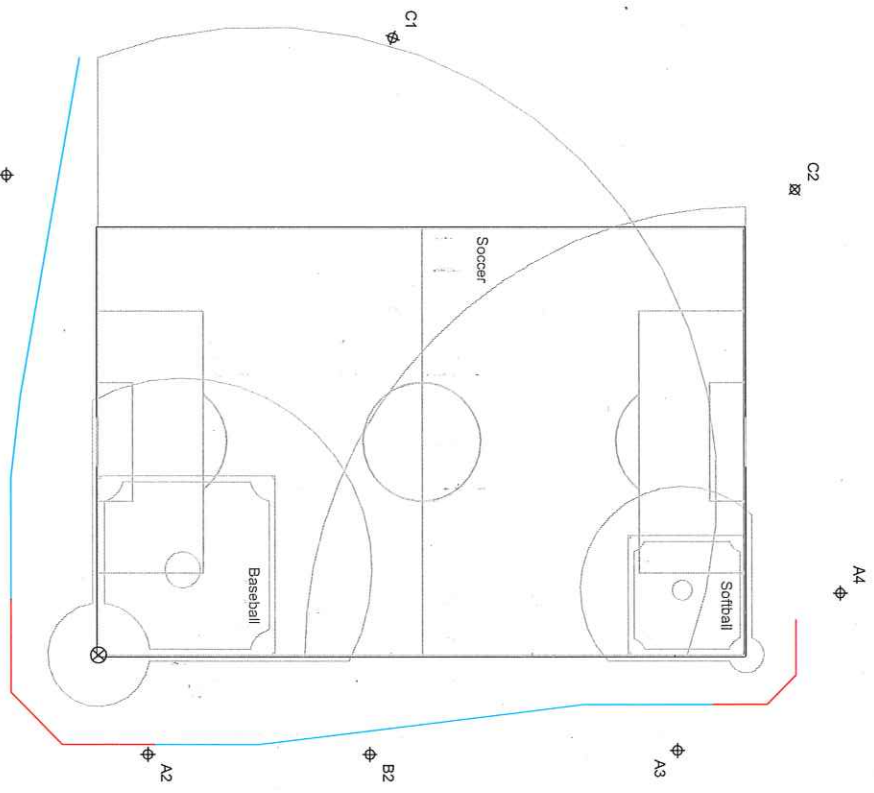


**EQUIPMENT LAYOUT**

**INCLUDES:**  
 • Baseball  
 • Soccer  
 • Softball

Electrical system Requirements: Refer to Amperage Draw Chart and/or the "Musco Control System Summary" for electrical sizing.  
 Installation Requirements: Results assume ± 3% nominal voltage at the side of the driver and structures located within 3 feet (1m) of design locations.



**EQUIPMENT LIST FOR AREAS SHOWN**

QTY	LOCATION	SIZE	GRADE ELEVATION	HOISTING	LUMINAIRE	QTY
2	A1-A2	80'	-	15'	TLC-IF-7/5	2
2	A3-A4	70'	-	15'	TLC-IF-7/5	5
2	B1, C2	80'	-	70'	TLC-IF-150	1
1	B2	80'	-	15'	TLC-IF-7/5	4
1	B2	80'	-	15'	TLC-IF-150	8
1	C1	80'	-	15'	TLC-IF-7/5	3
1	C1	80'	-	15'	TLC-IF-150	2
<b>TOTALS</b>						<b>62</b>

**SINGLE LUMINAIRE AMPERAGE DRAW CHART**

Ballast Specifications	Line Amperage per Luminaire
Custom Spec (4000K)	208 1200 240 277 347 380 480
Single Phase Voltage	68 63 59 51 41 37 30
TLC-IF-150	4.0 3.8 3.5 3.0 2.4 2.2 1.8
TLC-IF-7/5	



SCALE IN FEET 1 : 60  
 ENGINEERED DESIGN BY: Nathan Chizek • File #184917C • 09-Nov-17

Pole location(s) ⓧ dimensions are relative to 0,0 reference point(s) ⊗

**MUSCO**  
Lighting  
We Make It Happen.

Not to be reproduced in whole or part without the written consent of Musco Sports Lighting, LLC ©1981, 2017 Musco Sports Lighting, LLC.

**EQUIPMENT LAYOUT**

# Winchester High School Skillings Fields

Winchester, MA

## Lighting System

Pole / Fixture Summary						
Pole ID	Pole Height	Max Height	Fixture Qty	Luminaire Type	Load	Group
A1	80'	15'	1	TLC-BT-675	0.88 kW	A
A2	80'	15'	5	TLC-LED-150	5.75 kW	A
A3	80'	15'	1	TLC-BT-675	0.88 kW	B
A4	70'	15'	5	TLC-LED-150	5.75 kW	B
A5	70'	15'	1	TLC-BT-675	0.88 kW	E
A6	70'	15'	4	TLC-LED-150	4.80 kW	E
A7	70'	15'	1	TLC-BT-675	0.88 kW	D
A8	70'	15'	4	TLC-LED-150	4.80 kW	D
B1	80'	15'	2	TLC-BT-675	1.35 kW	B
B2	80'	15'	8	TLC-LED-150	9.20 kW	B
B3	80'	15'	3	TLC-BT-675	2.03 kW	C
B4	80'	15'	9	TLC-LED-150	10.55 kW	C
B5	80'	15'	2	TLC-BT-675	1.35 kW	C
B6	80'	15'	6	TLC-LED-150	6.90 kW	C
B7	80'	15'	2	TLC-BT-675	1.35 kW	C
B8	80'	15'	8	TLC-LED-150	9.20 kW	C
<b>8</b>			<b>62</b>		<b>65.13 kW</b>	

Group Summary			
Group	Description	Avg Load	Max Load
A	Zone 1	6.43 kW	6.43 kW
B	Zone 2	16.88 kW	16.97 kW
C	Zone 3	31.17 kW	31.17 kW
D	Zone 4	5.28 kW	5.28 kW
E	Zone 5	5.28 kW	5.28 kW

Fixture Type Summary			
Type	Source	Wattage	Lumens
TLC-LED-150	LED 5700K - 75 CRI	1150W	121,000
TLC-BT-675	LED 5700K - 75 CRI	675W	46,000

## Light Level Summary

Calculation Grid Summary						
Grid Name	Calculation Metric	Ave	Min	Max	Max/min	Groups
Baseball (Infield)	Horizontal Illuminance	50.7	39	59	1.51	A,B,C,D
Baseball (Outfield)	Horizontal Illuminance	34.0	22	50	2.26	A,B,C,D
Soccer	Horizontal Illuminance	33.3	21	49	2.31	B,C,E
Softball (Infield)	Horizontal Illuminance	33.6	42	72	1.72	C,D,E
Softball (Outfield)	Horizontal Illuminance	33.8	24	47	1.95	C,D,E

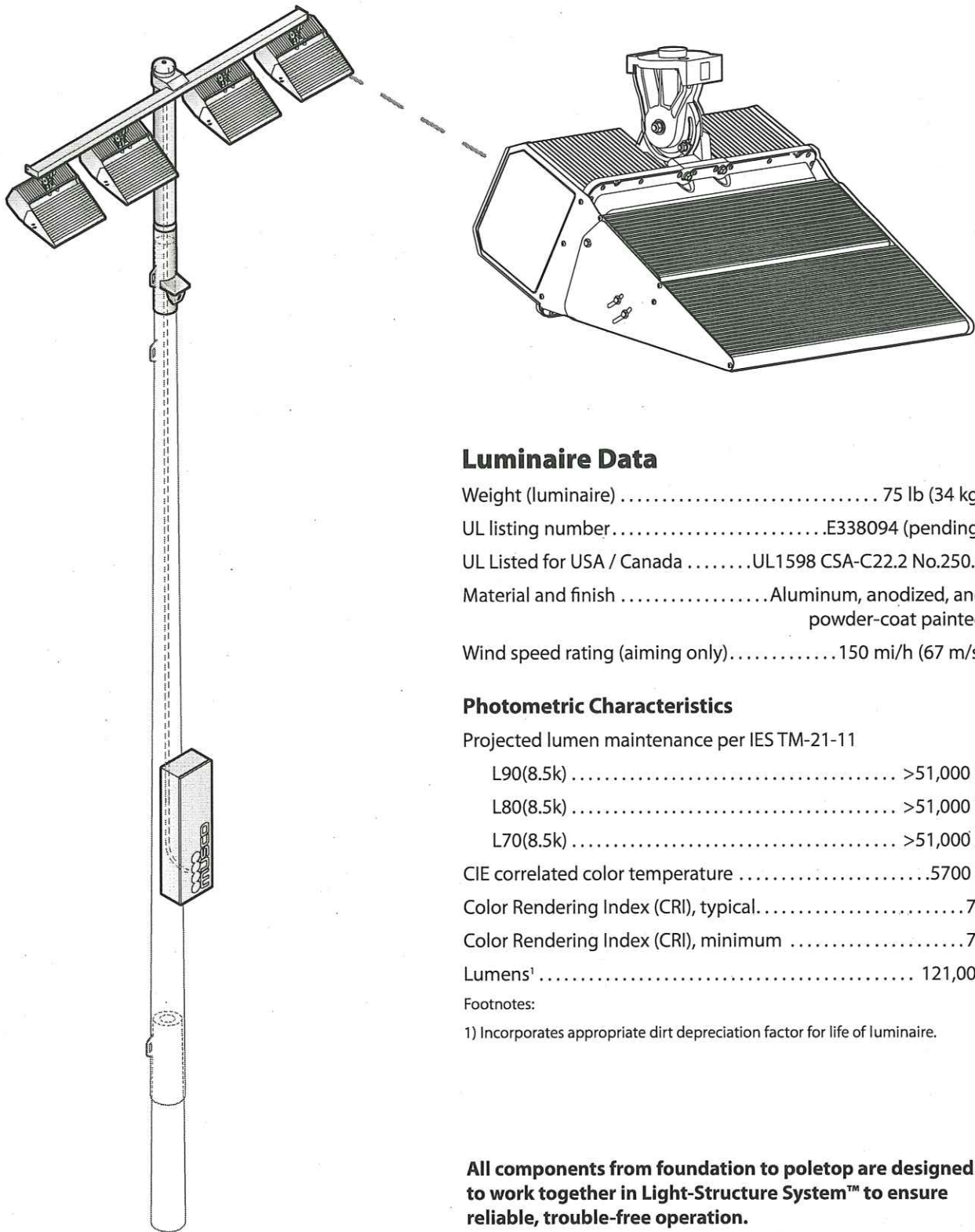
ENGINEERED DESIGN By: Nathan Chizek • File #184917C • 09-Nov-17

From Hometown to Professional



**MUSCO Lighting**  
We Make It Happen.  
Not to be reproduced in whole or part without the written consent of Musco Sports Lighting, LLC. ©1991, 2017 Musco Sports Lighting, LLC.  
**PROJECT SUMMARY**

**Luminaire and Driver Components – TLC-LED-1150**



**Luminaire Data**

Weight (luminaire) ..... 75 lb (34 kg)  
UL listing number ..... E338094 (pending)  
UL Listed for USA / Canada ..... UL1598 CSA-C22.2 No.250.0  
Material and finish ..... Aluminum, anodized, and powder-coat painted  
Wind speed rating (aiming only) ..... 150 mi/h (67 m/s)

**Photometric Characteristics**

Projected lumen maintenance per IES TM-21-11  
L90(8.5k) ..... >51,000 h  
L80(8.5k) ..... >51,000 h  
L70(8.5k) ..... >51,000 h  
CIE correlated color temperature ..... 5700 K  
Color Rendering Index (CRI), typical ..... 75  
Color Rendering Index (CRI), minimum ..... 70  
Lumens<sup>1</sup> ..... 121,000

Footnotes:

1) Incorporates appropriate dirt depreciation factor for life of luminaire.

**All components from foundation to poletop are designed to work together in Light-Structure System™ to ensure reliable, trouble-free operation.**

## Luminaire and Driver Components – TLC-LED-1150

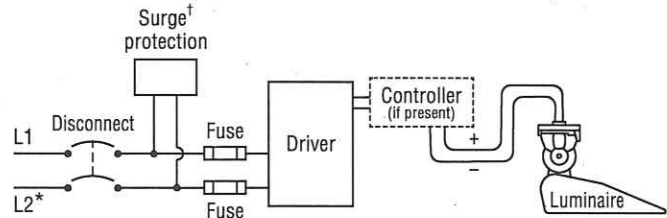
### Driver Data

#### Electrical Data

##### Rated Wattage<sup>1</sup>

Per driver.....	1,150 W
Per luminaire.....	1,150 W
Number of luminaires per driver.....	1
Starting (inrush) current.....	<40 A, 256 $\mu$
Fuse Rating.....	15 A
UL ambient temperature rating.....	50°C (122°F)
Efficiency.....	95%
Dimming mode.....	optional
Range, energy consumption.....	15-100%
Range, light output.....	20-100%

#### Typical Wiring



\* If L2 (com) is neutral then not switched or fused.  
 † Not present if indoor installation.

	200 Vac 50/60 Hz	208 Vac 60 Hz	220 Vac 50/60 Hz	230 Vac 50 Hz	240 Vac 50/60 Hz	277 Vac 60 Hz	347 Vac 60 Hz	380 Vac 50/60 Hz	400 Vac 50 Hz	415 Vac 50 Hz	480 Vac 60 Hz
<b>Max operating current<sup>2</sup></b>	7.26 A	6.98 A	6.60 A	6.31 A	6.05 A	5.24 A	4.18 A	3.82 A	3.63 A	3.50 A	3.03 A

#### Footnotes:

- 1) Rated wattage is the power consumption, including driver efficiency losses, at stabilized operation in 25° C ambient temperature environment.
- 2) Operating current includes allowance for 0.90 minimum power factor, operating temperature, and LED light source manufacturing tolerances.

#### Notes

1. Use thermal magnetic HID-rated or D-curve circuit breakers.
2. See *Musco Control System Summary* for circuit information.

